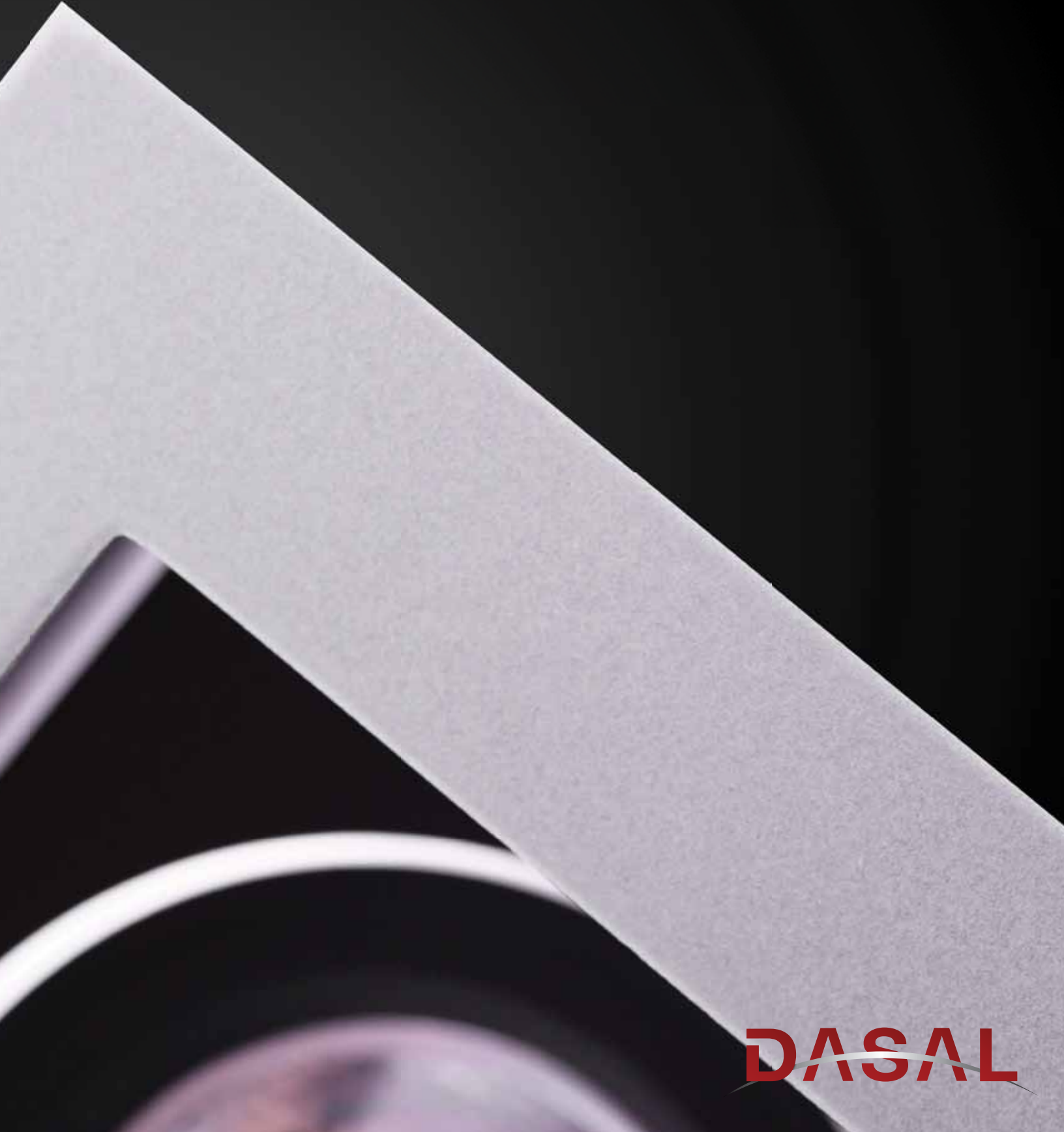


RECESSED LUMINAIRES

Metal Halide & Low Voltage Collection



DASAL

RECESSED LUMINAIRE
Metal Halide & Low Voltage Collection



Shangri-La, Vancouver, Canada



SIMPLE ABUNDANCE

Our sense of sight is truly remarkable and the impact lighting has on our visual experience is undeniable.

Dasal is proud to present a diverse range of recessed luminaires that let you choose how your projects come to light.

Whether it's a small alcove or a soaring ceiling, our high quality fixtures can fulfill all your desired objectives. Round or square, trimmed or trimless, accent, wall wash or general illumination, the Dasal Recessed Luminaire Collection is your lighting source.

Enhance your commercial space with the power of the CMH MR16 GX10 lamp with its outstanding efficiency, 12,000hr lamp life and color uniformity or illuminate your residential project with the tried and true Low Voltage MR 16 Lamp.

The Dasal Collection delivers the lighting solution you need while satiating your design creativity.

RECESSED LUMINAIRE

Metal Halide & Low Voltage Collection

Available in SINGLE, DOUBLE or TRIPLE lamp configurations, the Quadra Series delivers style and versatility.



Quadra 1



Quadra 2



Quadra 3

Quadra Recessed

- Deep recessed lamp can accommodate up to 2 lens accessories
- Dual axis lamp holder allows for full 360 degree adjustability
- Available in a variety of finishes



Miro

- Recessed trim with anodized reflector
- Dual axial adjustable lamp holder



Nemo

- Wet location listed
- Clear or frosted glass lens available
- Die cast aluminum



Pinhole

- Integral snoot standard
- Hot adjustable to 30 degrees
- Die cast aluminum





RECESSED LUMINAIRE

Metal Halide & Low Voltage Collection



Starlight



Flare



Ceiling & Luminaire As One

The Dasal Trimless Edition delivers a seamless blend of form and function.

Designed especially for new construction, the housing and trim combinations offered by these luminaires give you a smooth, uninterrupted appearance between ceiling and trim.

Choose the elegance of the Conus with its floating glass, the recessed lamp of the Pinhole, or the Aqua in a wet location, these Trimless Luminaires are sure to please.

All Dasal Trimless Luminaires utilize the same hole size detail and depending on the housing and lamp selected, are rated from 20 to 75 watts.

for more information please visit:
www.dasalindustries.com



Aurora



Conus



Deep Aurora



Pinhole



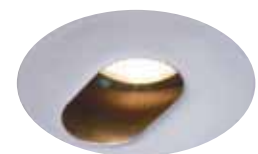
Aqua



Pivot



Piccolo

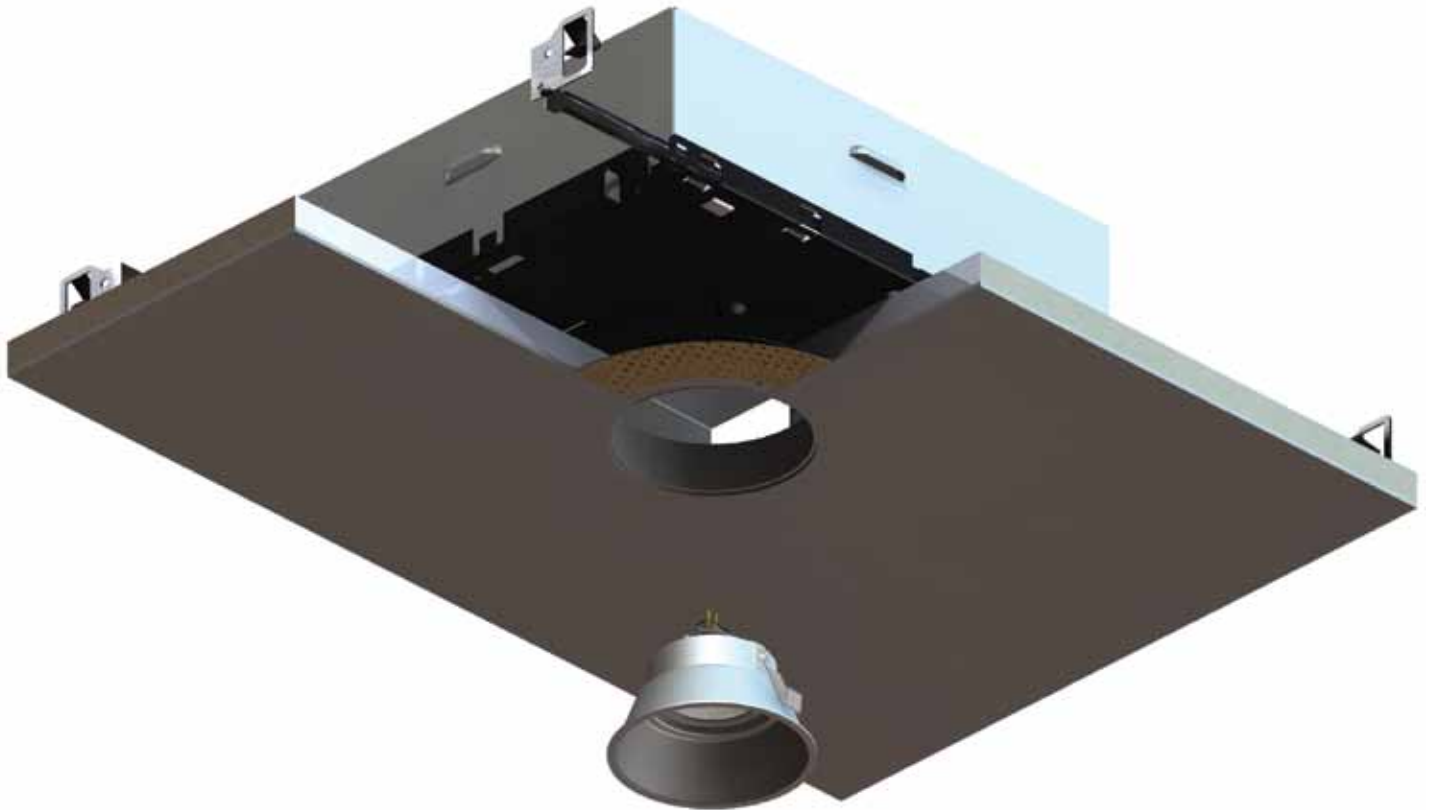


Keyhole

RECESSED LUMINAIRE

Metal Halide & Low Voltage Collection

Cutaway view of Dasal Trimless Housing



Dasal Trimless simplified

- Dasal Trimless Housings available in various styles and types. Housing comes complete with die cast internal threaded trimless ring attached. High Wattage housing shown here.

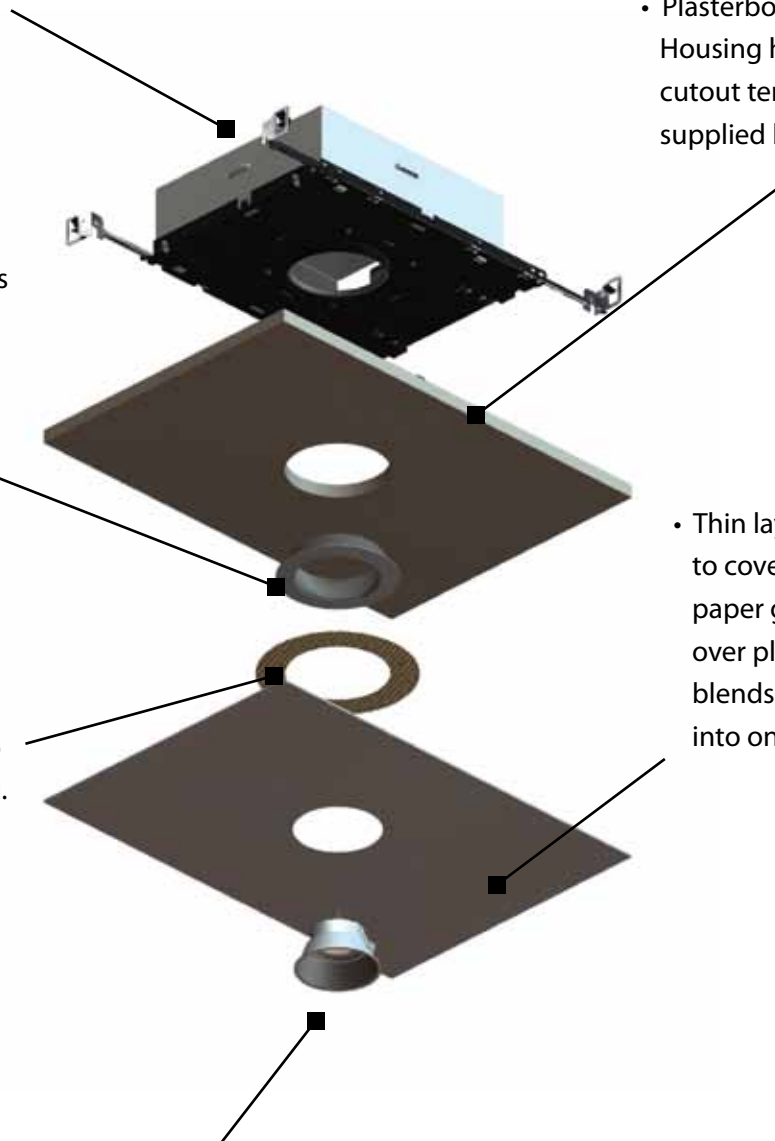
- Plasterboard applied over housing. Housing hole serves as hole cutout template. (Plaster board supplied by others)

- Die cast threaded outer trimless ring simply threads into internal trimless ring in housing. Ridges under outer trimless ring flange help provide a grip into plasterboard.

- Thin layer of plaster feathered out to cover outer trimless mud ring and paper gasket. A finish cover of paint over plaster completes the install & blends the trimless ring and ceiling into one.

- Paper ring gasket supplied to prevent plaster from cracking.

- The final step. Choose any one of Dasal trimless trims. Snap the Dasal trim into the opening to complete the elegant trimless appearance.



RECESSED LUMINAIRE

Metal Halide & Low Voltage Collection



Flare



Deep Aurora



The Dasal Classic Collection is defined by its versatility.

From the most popular Aurora and Deep Aurora trims with a variety of anodized reflector finishes, to the 1" opening and adjustable regressed lamp of the Picolo trim, this collection is designed to enhance any application.

Choose from a variety of trim finishes.

It's that simple.



Coral



Slice



Sunburst



Conus



Pinhole



Split



Aurora



Picolo



Eclipse



Demi



Lensed Picolo



Siris



Pivot



Keyhole



Aqua



Starlight

RECESSED LUMINAIRE

Metal Halide & Low Voltage Collection





LAMP INFORMATION

Physical Characteristics

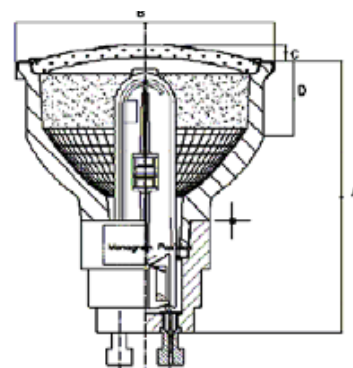


Lamp Wattage	20W	35W	35W
Base Type	GX10 Twist and Lock	GX10 Twist and Lock	GX10 Twist and Lock
Rated Life	12,000 Hours	10,000 Hours	12,000 Hours
Initial Lumens	1,000	2,200	2,200
Color Temperature	3,000K	3,000K	4,000K
CRI	81	90	92
Beam Angle	12, 25, 40	12, 25, 40	12, 25, 40

- Long Life
- Constant Color
- Good Color Rendering
- Robust Twist & Lock Base Design
- Superior Beam Control
- Up To 56 Lumens Per Watt
- Short Re-strike and Warm-up
- Reduced UV
- Lower Overall System Power Consumption

Dimensions

- A. 54.5mm
- B. 51.0mm
- C. 3.5mm
- D. 14.0mm



RECESSED LUMINAIRE

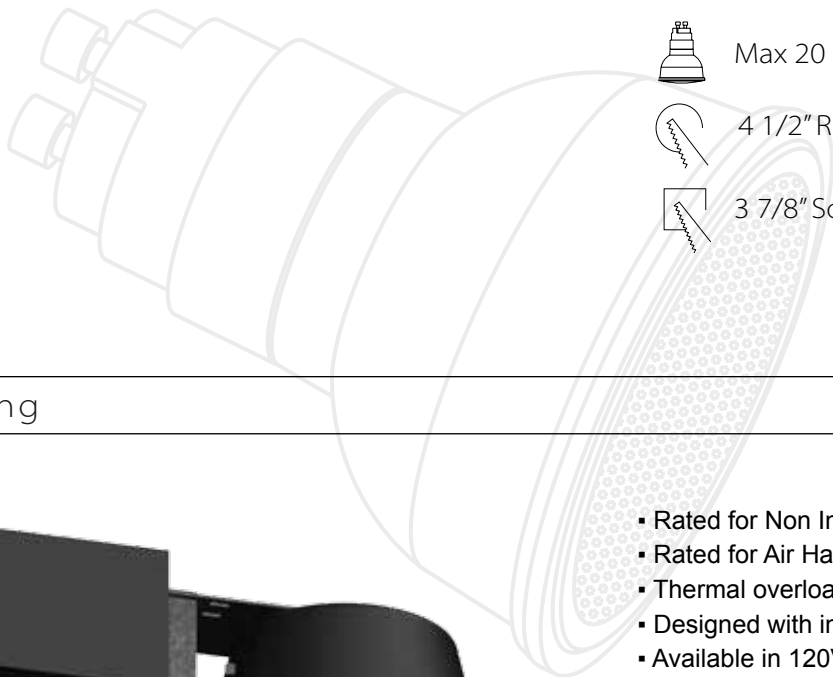
Metal Halide & Low Voltage Collection

Non Insulated Ceiling Housing



- Rated for Air Handling Plenums
- Thermal overload protection
- Designed with integral Electronic HID Ballast
- Available in 120V or 277Volt
- Powder Coated 20 gauge Base Plate
- Base Plate designed for bi-directional hanger bars
- 16" hanger bars supplied standard
- Trimless also available
- 10 7/8"W x 13 3/4"L x 4 1/2"D

4 1/2"
Deep



Max 20 or 35 Watt (must be specified)



4 1/2" Round Hole Cutout



3 7/8" Square Hole Cutout

Remodel Housing



- Rated for Non Insulated ceilings
- Rated for Air Handling Plenums
- Thermal overload protection
- Designed with integral Electronic HID Ballast
- Available in 120V or 277Volt
- Powder Coated 18 gauge can
- Unique clips design accommodates ceiling thickness to 1 1/2"
- 4 1/2"W x 10 3/8"L x 5 1/4"D



Max 20 or 35 Watt (must be specified)



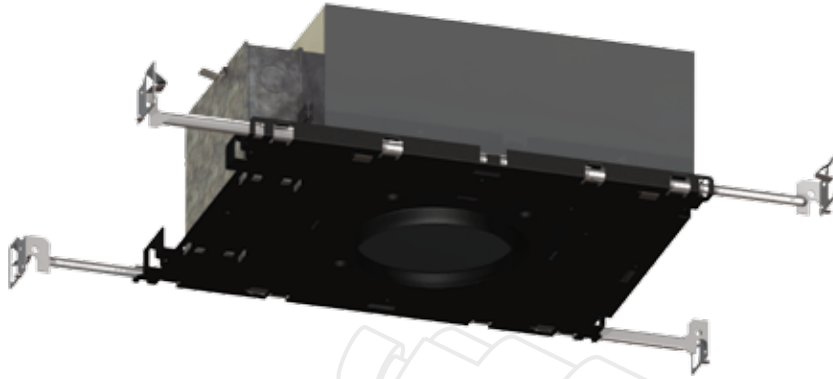
4 1/2" Round Hole Cutout



4" Square Hole Cutout

CMH LAMP HOUSING OPTIONS

Chicago Plenum Housing



4 1/2"
Deep

- Rated for Non Insulated Chicago Plenum ceilings
- CCEA approved (City of Chicago Environmental Air meeting section 18-27-300.22)
- Thermal overload protection
- Designed with integral Electronic HID Ballast
- Available in 120V or 277Volt
- Powder Coated 20 gauge Base Plate
- Base Plate designed for bi-directional hanger bars
- 16" hanger bars supplied standard
- Trimless also available
- 10 7/8"W x 13 3/4"L x 4 1/2"D



Max 20 or 35 Watt (must be specified)



4 1/2" Round Hole Cutout



3 7/8" Square Hole Cutout

Concrete Pour Housing



- Rated for concrete pour
- 18 gauge galvanized steel construction
- 5 K.O. around junction box for easy wire entry
- Hinged lid for easy access to wiring compartment
- Designed with integral Electronic HID Ballast
- Available in 120V or 277Volt
- Optional Extension collar available
- 12"W x 18"L x 5 7/8"D



Max 20 or 35 Watt (must be specified)



4 1/2" Round Hole Cutout



3 7/8" Square Hole Cutout

for more information please visit:
www.dasalindustries.com

RECESSED LUMINAIRE

Metal Halide & Low Voltage Collection





LAMP INFORMATION
Physical Characteristics

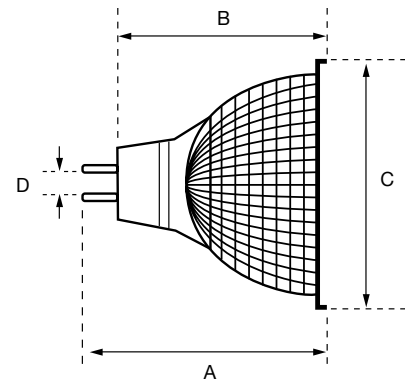
Lamp Wattage	20W	37W	50W
Base Type	GX 5.3	GX 5.3	GX 5.3
Rated Life	5,000 Hours	5,000 Hours	5,000 Hours
CBCP (cd)	1,000	1,700	2,200
Color Temperature	3,000K	3,000K	3,000K
Beam Angle	10, 25, 35, 60	10, 25, 35, 60	10, 25, 35, 60

- Bright crisp light throughout lamp life
- Lower Energy Consumption (Based on IR Type Lamps)
- Multiple Beam Angles
- Long Life

** Source Osram Sylvania IR Halogen Lamps**

Dimensions

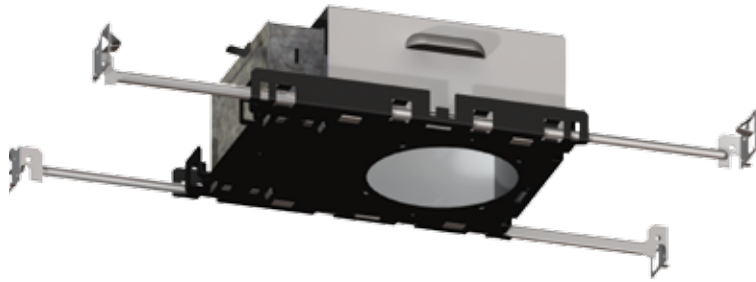
- A. 1-3/4"
- B. 1-1/2"
- C. 2"
- D. 1/4"



RECESSED LUMINAIRE

Metal Halide & Low Voltage Collection

Non Insulated Ceiling Housing



Max 50 Watt



4 1/2" Round Hole Cutout

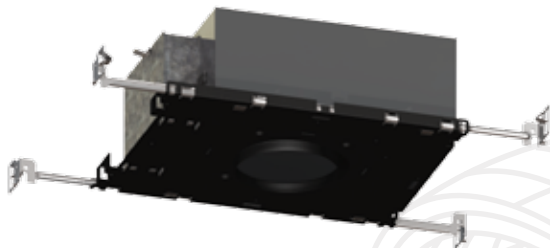


3 7/8" Square Hole Cutout (Quadra 1)



- Rated for Air Handling Plenums
- Thermal overload protection
- Integral Magnetic or Electronic transformer
- Available with Magnetic Toroidal transformer (deep version)
- Available in 120V, 277V & 347Volt
- Powder Coated 20 gauge Base Plate
- Base Plate designed for bi-directional hanger bars
- 16" hanger bars supplied standard
- Trimless also available
- 10 1/2"W x 7 3/4"L x 3 1/2"D
- 10 1/2"W x 7 3/4"L x 4 1/2"D (for Deep Aurora trim)

High Watt & Chicago Plenum Housing



Max 75 Watt



4 1/2" Round Hole Cutout



3 7/8" Square Hole Cutout



3 7/8" x 7 3/8" Rect Hole Cutout (Quadra 2)*
Max 2 x 50 Watt



3 7/8" x 10 3/4" Rect Hole Cutout (Quadra 3)*
Max 3 x 37 Watt

**available only for the High Wattage Housings*

High Wattage

- Rated for Non Insulated ceilings
- Rated for Air Handling Plenums
- Rated for through wire applications
- Thermal overload protection
- Integral Magnetic or Electronic transformer
- Available with Magnetic Toroidal transformer (deep version)
- Available in 120V and 277Volt
- Powder Coated 20 gauge Base Plate
- Base Plate designed for bi-directional hanger bars
- 16" hanger bars supplied standard
- Trimless also available
- 10 7/8"W x 13 3/4"L x 3 1/2"D
- 10 7/8"W x 13 3/4"L x 4 1/2"D (for Deep Aurora trim)

Chicago Plenum

- Rated for Non Insulated Chicago Plenum ceilings
- CCEA approved (City of Chicago Environmental Air) meeting section 18-27-300.22
- Thermal overload protection
- Integral Magnetic or Electronic transformer
- Integral Toroidal transformer also available
- Available in 120V and 277Volt
- Powder Coated 20 gauge Base Plate
- Base Plate designed for bi-directional hanger bars
- 16" hanger bars supplied standard
- Trimless also available
- 10 7/8"W x 13 3/4"L x 4 1/2"D

Remodel Housing



Max 50 Watt



4 1/2" Round Hole Cutout



4" Square Hole Cutout

- Rated for Non Insulated ceilings
- Rated for Air Handling Plenums
- Thermal overload protection
- Integral Magnetic or Electronic transformer
- Available in 120V, 277V & 347Volt
- Powder Coated 18 gauge can
- Unique clips design accommodates ceiling thickness to 1 1/2"
- 4 1/2"W x 13 1/8"L x 5 1/4"D

MR16 LV LAMP HOUSING OPTIONS

Shallow Insulated Ceiling Housing



Max 50 Watt



4 1/2" Round Hole Cutout

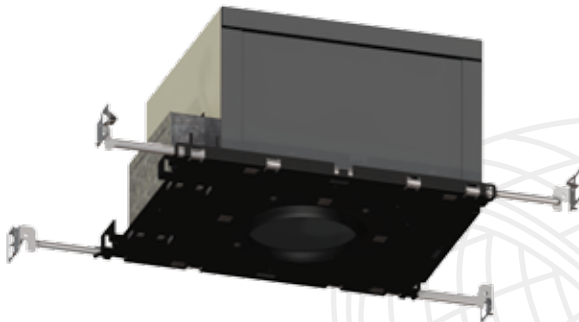


3 7/8" Square Hole Cutout



- Designed for ceiling as low as 6"
- Approved for direct burial in Insulation
- Rated for Air Handling Plenums
- Integral Torroidal transformer
- Available in 120V & 277Volt
- Powder Coated 20 gauge Base Plate
- 16" hanger bars supplied standard
- Trimless also available
- 8 1/2"W x 22 1/2"L x 5 7/8"D

Insulated Ceiling Housing



Max 50 Watt (magnetic) Max 37 Watt (electronic)



4 1/2" Round Hole Cutout



3 7/8" Square Hole Cutout (Quadra 1)

- Approved for direct burial in Insulation
- Air Tight Approved to ASTM E283-91 Washington State Energy Code
- Rated for Air Handling Plenums
- Thermal overload protection
- Integral Magnetic or Electronic transformer
- Integral Torroidal transformer also available
- Available in 120V, 277V & 347Volt
- Powder Coated 20 gauge Base Plate
- Base Plate designed for bi-directional hanger bars
- 16" hanger bars supplied standard
- Trimless also available
- 10 7/8"W x 13 3/4"L x 7"D

Concrete Pour Housing



Max 75 Watt



4 1/2" Round Hole Cutout



3 7/8" Square Hole Cutout

- Rated for concrete pour
- 18 gauge galvanized steel construction
- 5 K.O. around junction box for easy wire entry
- Hinged lid for easy access to wiring compartment
- Integral Magnetic or Electronic transformer
- Available in 120V, 277V & 347Volt
- Optional Extension collar available
- 12"W x 18"L x 5 7/8"D

for more information please visit:
www.dasalindustries.com

Recessed Luminaires Metal Halide & Low Voltage

Xicato LED Luminaires

Recessed LED Luminaires

Architectural Cylinders

Matrix Luminaires

Millwork Luminaires

Wall Luminaires

Dasal Industries Ltd.
For more information,
please contact us:

Toll Free: 1.800.464.9544

WWW.DASALINDUSTRIES.COM

Edition # 0000